

Features

- Universal Input 90~264V AC
- Interchangeable Plugtop Adapters
- Approved to UKCA, CE, TUV-GS, cULus, RCM (C-Tick), CCC, FCC, RoHS
- Safety standards to IEC/UL/EN 60950-1
- Single Output 9~30V DC
- OVP, OCP, OTP, SCP



Ideal Power's 15DYS650-xyW-K 50W AC/DC External Adapter Interchangeable Power Supply (PSU) Series are certified to UKCA, CE, TUV-GS, cULus, RCM (C-Tick), CCC, FCC, RoHS & EN 60950-1/IEC 60950-1/UL 60950-1 Standards and comply with (EU) 2019/1782, Level VI Efficiency Regulations. These are primarily used in ITE, Audio & Video Industries and customised solutions are available upon request.

Models

Model Number	Output Voltage (V DC)	Output Current (A)	Output Power (W)	Efficiency (%)
15DYS650-090400W-K	9	4	36	87.4
15DYS650-120420W-K	12	4.2	50.4	88
15DYS650-300168W-K	30	1.68	50.4	88

Input Data

	Min	Typical	Max	Units	Notes
Input Voltage	90	--	264	V AC	100-240VAC +/- 10%
Input Frequency	47	--	63	Hz	60Hz/50Hz Nominal
Input Current	--	0.5	--	A	at 100-240Vac input & Full load
Inrush Current	--	--	1.3	A	at 100-240Vac input and Max load for a cold start at 25°C
Leakage Current	--	--	0.25	mA	at 264Vac / 50Hz

Output Data

	Min	Typical	Max	Units	Notes
Output Current Range	0.0	--	4.2	A	Model Dependant
Output Voltage Range	8.55	--	31.5	V	Model Dependant
Ripple & Noise	150	--	300	mVpp	Model Dependant
Over Current Protection	Will recover if fault condition is removed				
Short Circuit Protection	Will recover if fault condition is removed				
Over Voltage Protection	Will recover if fault condition is removed				

Environmental Data

	Min	Typical	Max	Units	Notes
Operating Temperature	0	--	+45	°C	Model Dependant
Storage Temperature	-20	--	+80	°C	
Operating Humidity	10	--	90	%	non condensing
Relative Humidity	5	--	95	%	non condensing

Other Information

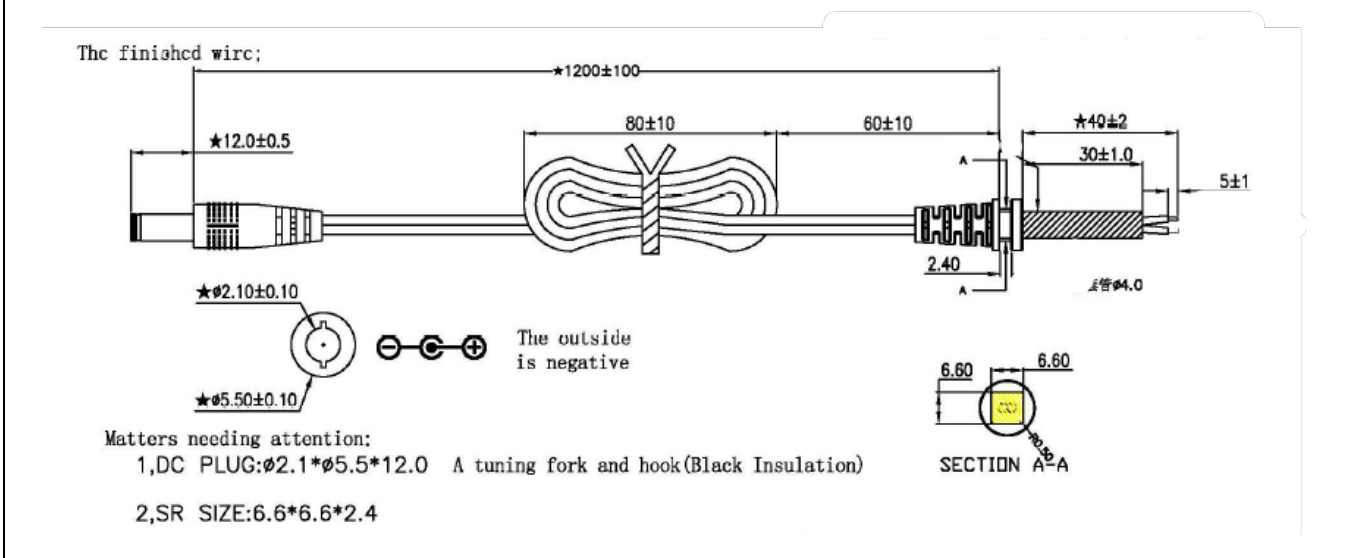
	Notes
Dielectric Strength	Primary to Secondary: 4242VDC / 5mAMax / 60second (3 seconds for mass production)
MTBF	50,000 hrs at 25°C
Dimensions	82.2x52x35mm
Output Cord	12V-18AWG/30V-20AWG UL2468,1.2M Black
Output Connector	Output Connector: Lead O/P~OD: 2.1mm, ID: 5.5m, Length:12.0mm (H).

Safety Approvals

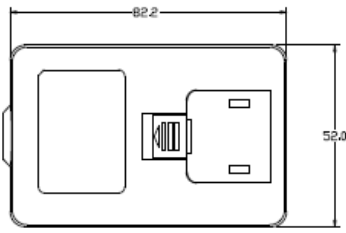
	Safety Standards
Safety Standards	IEC/UL/EN 60950
Approvals	UKCA, CE, TUV-GS, cULus, RCM (C-Tick), CCC, FCC, RoHS

EMI/EMS Standards

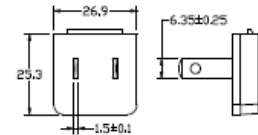
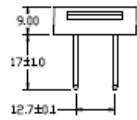
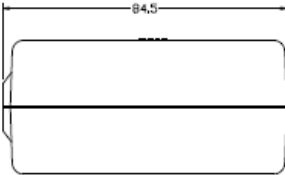
	Test Level	
EMI	EN 55032 / FCC Part 15 Class B / AS/NZS CISPR22	
EMS	EN 55024	
ESD	IEC 61000-4-2, Air discharge +/-8KV, Contact discharge +/-4KV	Pass B
EFT	IEC 61000-4-4, AC-Input 0.5KV/1KV	Pass A/B
Surge Voltage	IEC 61000-4-5 Differential mode +/-1KV. Common mode +/-2KV	Pass A

Typical Cord Drawing


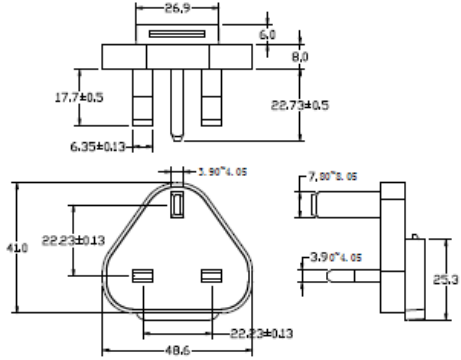
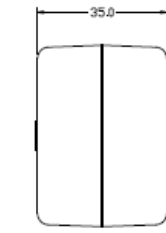
Mechanical Drawing



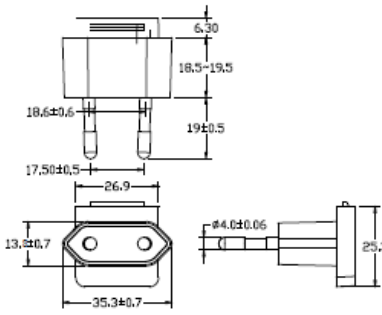
CASE



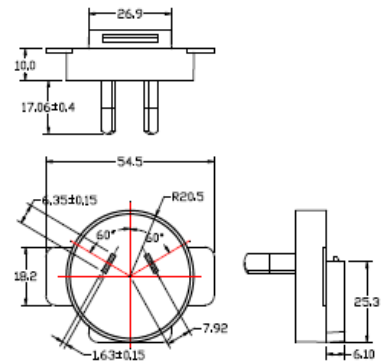
US PIN



UK PIN



EU PIN



AU PIN

AC - DC

Typical Label

IP IDEALPOWER SWITCHING MODE POWER SUPPLY 0318
 電源供應器/电源适配器 EFFICIENCY LEVEL: VI

P/N/編號/编号: DYS650-300168-17315F
 MODEL/型號/型号: DYS650-300168W-K
 INPUT/輸入/输入: 100-240V~50/60Hz 1.3A MAX
 OUTPUT/輸出/输出: 30.0V = 1.68A

CE **FC** **S&E** **TUV017335EA** **R36235 RoHS** **TUV Rheinland** **GS** **UL**

东莞市东硕电子有限公司 MADE IN CHINA/中國製造/中国制造